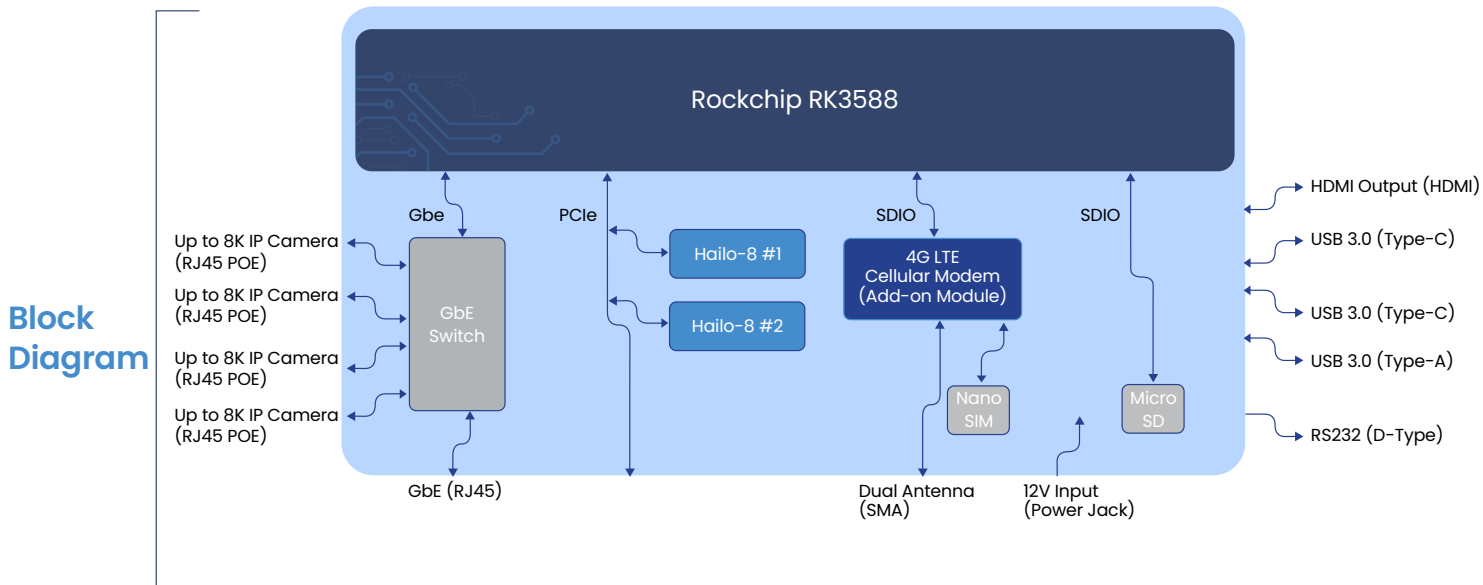


# Pearl



M-Z-00073-00000

Ultimate multiple Ultra-HD, edge computing platform enabling powerful AI applications for safe city, HLS and defense applications



## External Interfaces and Dimensions

- Connectors
  - ▶ 4 x RJ45 POE (2 x 2)
  - ▶ 1 x RJ45 no POE
  - ▶ 2 x USB Type-C
  - ▶ 1 x USB Type-A
  - ▶ 1 x D-Type
  - ▶ 1 x HDMI
  - ▶ 1 x Micro-SD slot
  - ▶ 1 x Nano-SIM slot
  - ▶ 1 x power jack
  - ▶ 2 x SMA
  - ▶ 1 x Power LED
- Dimensions
  - L 258.2 x W 110.5 x H 54.0 mm

## Architecture

- Rockchip RK3588 octa-core 64-bit processor with 6 TOPS NPU
  - ▶ 64GB RAM
  - ▶ 8GB LDDR4
  - ▶ 8K video encoding and decoding
  - ▶ Industrial grade: -40°C and 85°C operational
- Dual Hailo-8 AI accelerator 26 TOPS each
- 4 x up to 8K IP camera input with POE
- 1 x GbE no POE
- 3 x USB 3.0
- 1 x RS232
- 1 x HDMI output
- 1 x Micro-SD supporting maximum available capacity
- 1 x 4G LTE cellular modem with Nano-SIM as an optional add-on module
- 12V input

